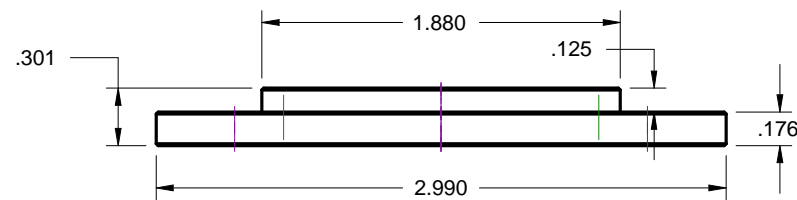
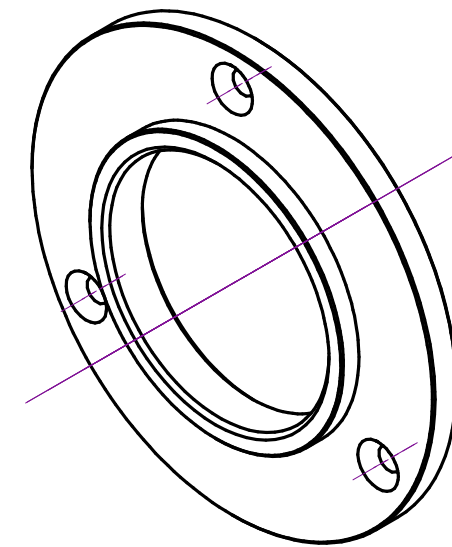
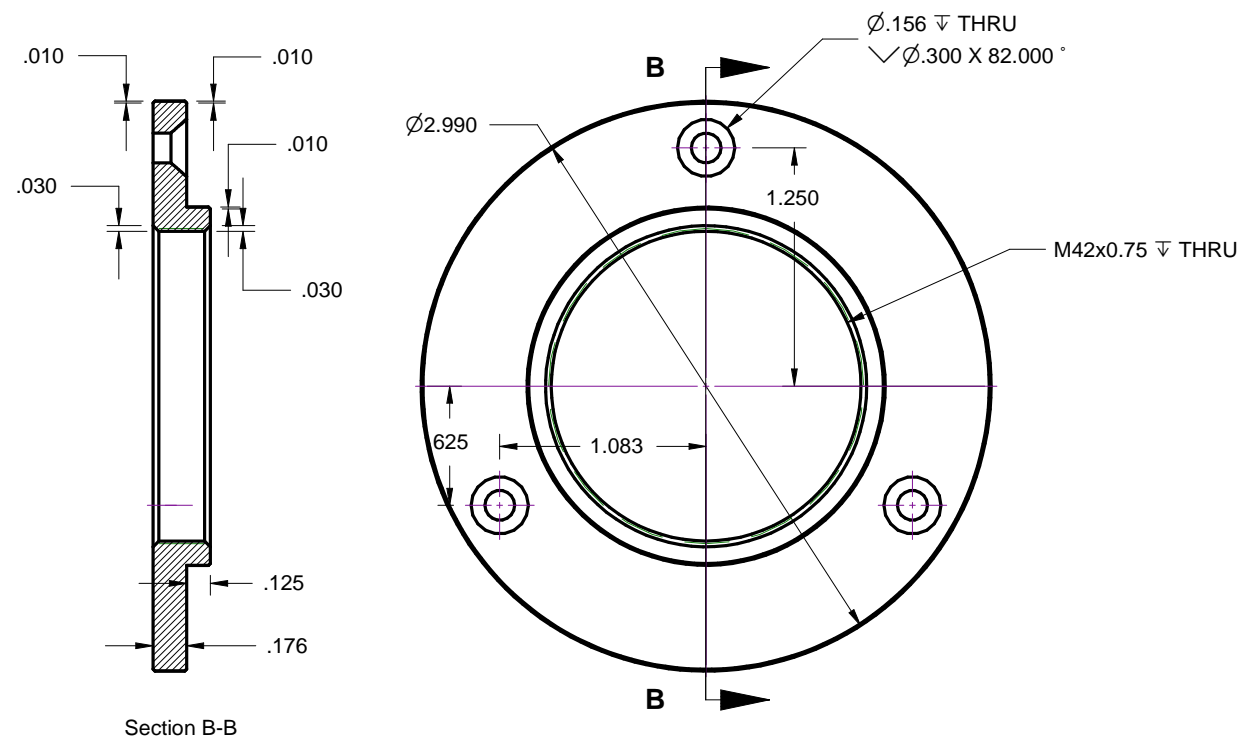



REVISIONS				
ZONE	REV	DESCRIPTION	DATE	APPROVED



All dimensions in inches. Tolerance: +/-0.005 unless noted.	DRAWN Fred Bruenjes	DATE 2/2/2010	 149 NW OO Hwy Warrensburg, MO 64093			
	CHECKED					
Material: 6061-T6 aluminum Finish: Type 2 anodized black. Surface area: 13.6 in ² Mass: 0.09 lb	QA		Q3GFTF - Quantum Front Flat T Plate			
	MFG					
PROPRIETARY AND CONFIDENTIAL	APPROVED		SIZE B	FSCM NO. 4NS73	DWG NO. Q3GFTF-1	REV A
			SCALE 1 : 1		SHEET 1 OF 1	